



## **ZPure Ultra 5A Moisture Filter with Metal Gasket Seal Fittings**



## Warnings



Warnings must be read carefully and understood. Improper use of this product can cause harm or death to personnel and damage to property!



Wear eye protection and use caution when working with pressurized systems.

Maximum pressure rating is noted in table below.

When using a high-pressure gas source overpressure protection must be provided.

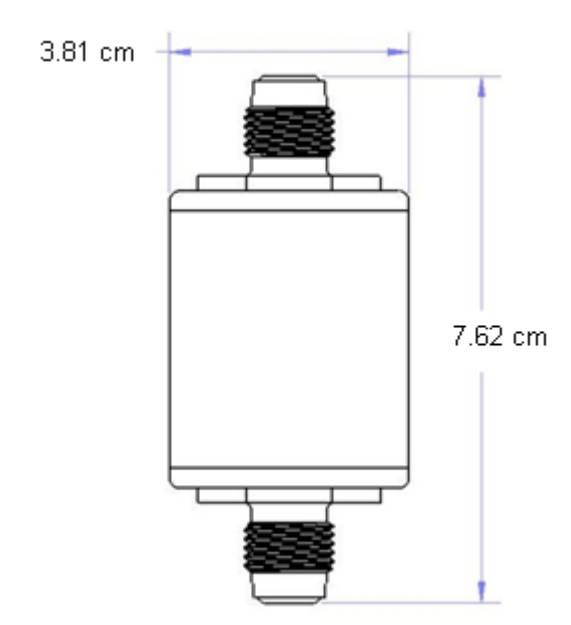
Do not open filter, even after use.

Do not use with supply gas H<sub>2</sub>O concentration greater than 0.1%. Contains molecular sieve which may become very hot in contact with liquid water. Do not use with liquids.

Special precautions might be required when using hydrogen or hazardous gases. Consult local regulations and your company's safety procedures.

Product Numbers

| 1/4" SS  | Maximum Pressure    |
|----------|---------------------|
| 202373-V | 68.9 bar / 1000 psi |



## Filter Setup and Use

### Installation for VCR Fittings

1. The ZPure Ultra is delivered filled with helium; it should be purged before use with the gas to be purified.
2. Make sure to discard both metal washers as they cannot be reused.
3. Insert one new metal washer (included with the purifier) between the mating fitting and connection.
4. Screw on the nut until finger-tight (no excessive resistance should be felt until the nut bottoms out.) Using wrenches, tighten the nut beyond finger-tight 1/8 turn (45°).
5. Purge the system and leak check all connections.



Trajan Scientific Americas Inc  
2601 Technology Drive,  
Louisville, KY 40299, USA  
Tel: 502 491 6300  
Fax: 502 491 3390  
usa@trajanscimed.com



### **Recycling**

Please contact CRS for information regarding recycling and reconditioning gas purifier products.

© Trajan Scientific Americas Inc  
09/2022 995279 \_RevB