



# ZPure Infinity H<sub>2</sub> Purifier with SS Compression Fittings



## Warnings



Warnings must be read carefully and understood. Improper use of this product can cause harm or death to personnel and damage to property!



Wear eye protection and use caution when working with pressurized systems.

Maximum pressure rating is noted in table below.

When using a high-pressure gas source overpressure protection must be provided.

Do not open filter, even after use. Do not use with liquids.

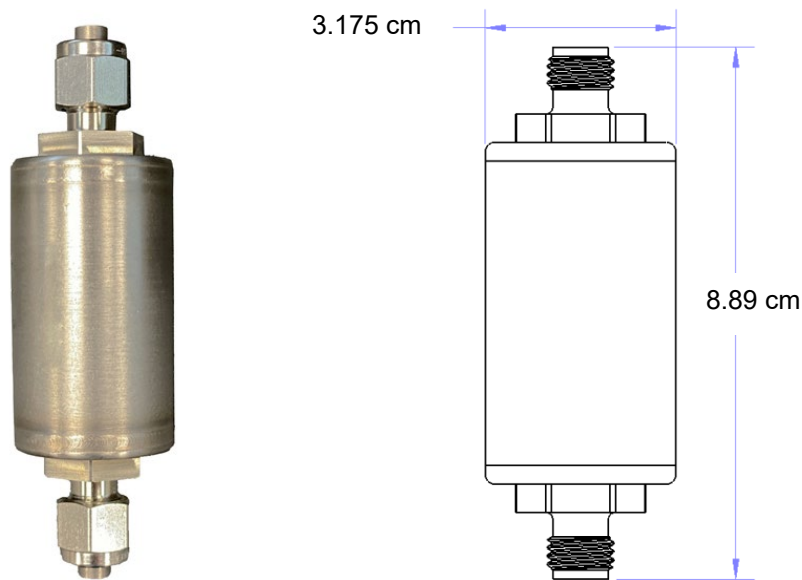
Do not use this product for hydrogen gas containing more than 1% oxygen.

Do not use this product for oxygen gas containing more than 1% hydrogen.

Special precautions might be required when using hydrogen or hazardous gases. Consult local regulations and your company's safety procedures.

Product Numbers

1/4" SS	Maximum Pressure
202381-SS	68.9 bar / 1000 psi



## Filter Setup and Use

### Installation for Compression Fittings

1. Check the package contents for damage. Contact your supplier if any items are damaged or missing.
2. The Infinity Purifier is delivered in the active state, filled with helium. It is ready for use, but it is recommended that the trap be purged with the gas to be purified.
3. For the best connections, start with freshly-cut tubing in the gas line. 1/8" nuts should be turned 3/4 turn past finger tight. 1/4" nuts should be turned 1-1/4 turns past finger tight.
4. To connect in-line, first purge the gas line with the supply gas. While maintaining a low purge rate of 10 to 30 cc/min, remove the end plugs from both ends of the trap, then attach the inlet end of the trap to the gas line.
5. Attach the outlet end of the trap.
7. Purge the entire system until a total of 1 to 2 liters of gas has been flushed through.
8. Leak check all connections.



Trajan Scientific Americas Inc  
2601 Technology Drive,  
Louisville, KY 40299, USA  
Tel: 502 491 6300  
Fax: 502 491 3390  
usa@trajanscimed.com



### **Recycling**

Please contact CRS for information regarding recycling and reconditioning gas purifier products.

© Trajan Scientific Americas Inc  
09/2022 995281 \_RevB