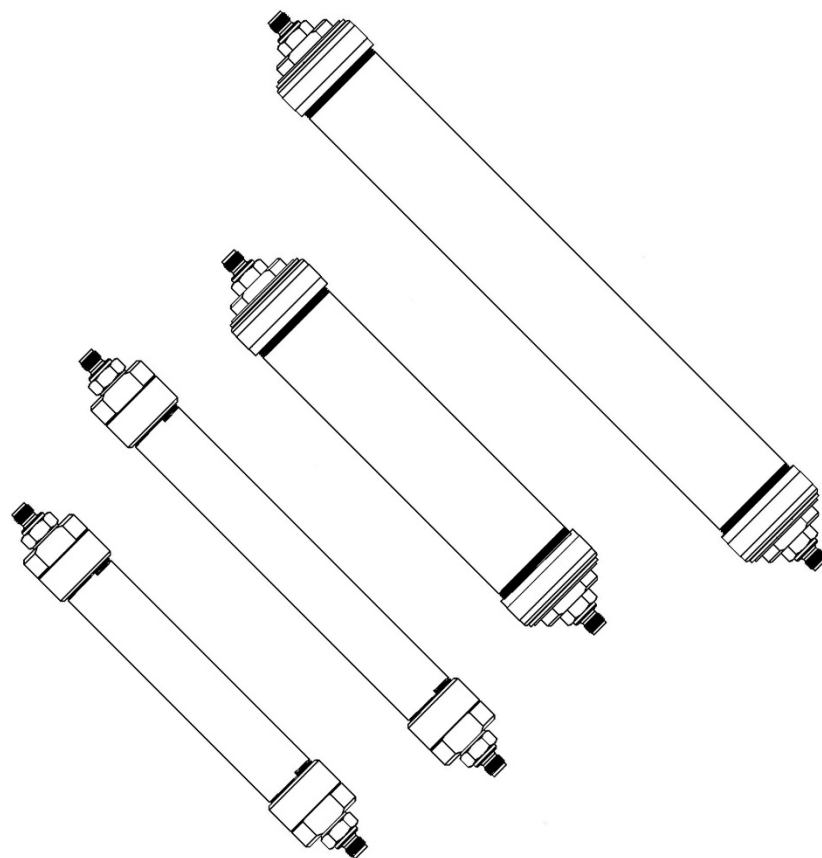


# SPure™ HC Filters with Quick Connect Fittings





## Warnings

Warnings must be read carefully and understood. Improper use of this product can cause harm or death to personnel and damage to property!



Wear eye protection and use caution when working with pressurized systems.

Maximum pressure rating for SPure HC Filters: 6.9 bar / 100 psi.

When using a high-pressure gas source overpressure protection must be provided.

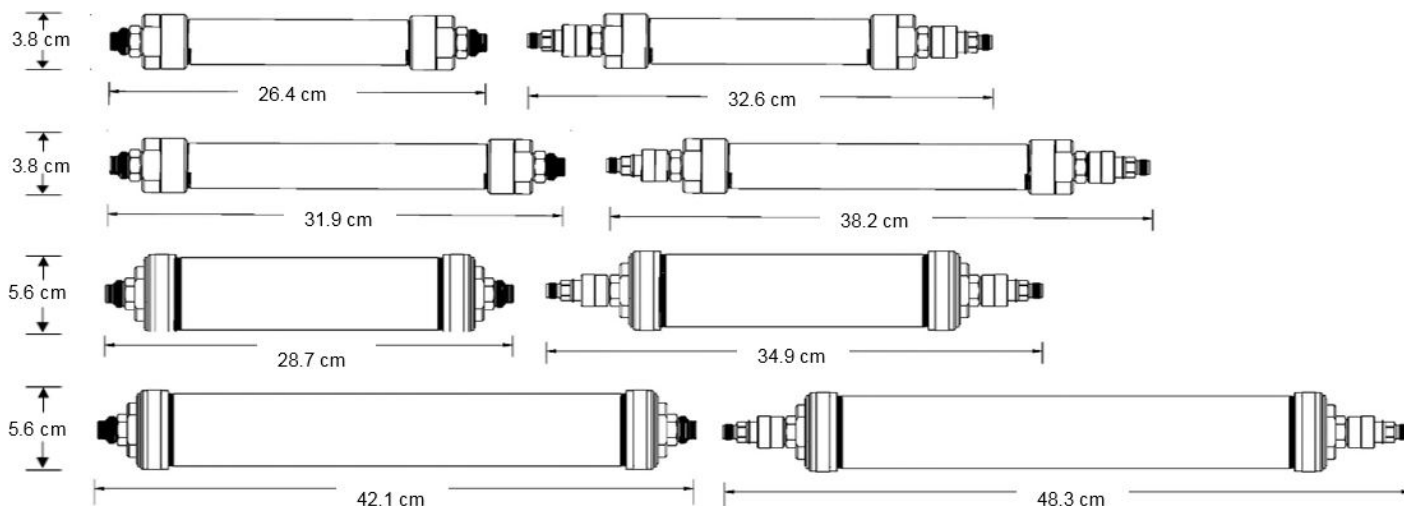
Do not expose the protective outer plastic tube to solvents.

Not for use with hydrogen or hazardous gases.

Consult local regulations and your company's safety procedures.

### Product Numbers

Size	1/8" Brass (Complete Kit)	1/4" Brass (Complete Kit)	1/8" SS (Complete Kit)	1/4" SS (Complete Kit)	Replacement Cartridge (Brass)	Replacement Cartridge (SS)	Maximum Pressure
88 cc	202326-B-QC	202327-B-QC	202326-SS- QC	202327-SS- QC	202326RP-B-QC	202326RP-SS- QC	6.9 bar / 100 psi
116 cc	202326L-B- QC	202327L-B- QC	202326L-SS- QC	202327L-SS- QC	202326LRP-B- QC	202326LRP-SS- QC	6.9 bar / 100 psi
240 cc	202326D-B- QC	202327D-B- QC	202326D-SS- QC	202327D-SS- QC	202326DRP-B- QC	202326DRP-SS- QC	6.9 bar / 100 psi
400 cc	202326XL-B- QC	202327XL-B- QC	202326XL- SS-QC	202327XL- SS-QC	202326XLRP-B- QC	202326XLRP-SS- QC	6.9 bar / 100 psi



*From top to bottom: 88 cc, 116 cc, 240 cc, 400 cc.*

## Filter Setup and Use

### Installation for Quick Connect Fittings

1. Check the package contents for damage. Contact your supplier if any items are damaged or missing.
2. The SPure Filter is delivered in the active state, filled with helium. It is ready for use, but it is recommended that the trap be purged with the gas to be purified.
3. Install the Quick Connect Tube fittings ends to the gas lines. For the best connections, start with freshly-cut tubing in the gas line. 1/8" nuts should be turned 3/4 turn past finger tight. 1/4" nuts should be turned 1-1/4 turns past finger tight.
4. Attach the outlet end of the filter by screwing the Quick Connect fitting nut onto the adapter. This will open both check valves on the outlet side.
5. Attach the inlet end of the filter by screwing the Quick Connect fitting nut onto the adapter. This will open both check valves on the inlet side.
6. Purge the entire system until a total of 1 to 2 liters of gas has been flushed through.
7. Leak check all connections.

Chromatography Research Supplies, Inc.  
2601 Technology Drive  
Louisville, KY 40299  
USA

tel. (+1) 502-491-6300

[www.ChromRes.com](http://www.ChromRes.com)



### **Recycling**

Please contact CRS for information regarding recycling and reconditioning gas purifier products.

Printed in USA  
27-Sep-2017  
995249