

ZPure™ HC Filters with Push-to-Connect Fittings





Warnings

Warnings must be read carefully and understood. Improper use of this product can cause harm or death to personnel and damage to property!



Wear eye protection and use caution when working with pressurized systems.

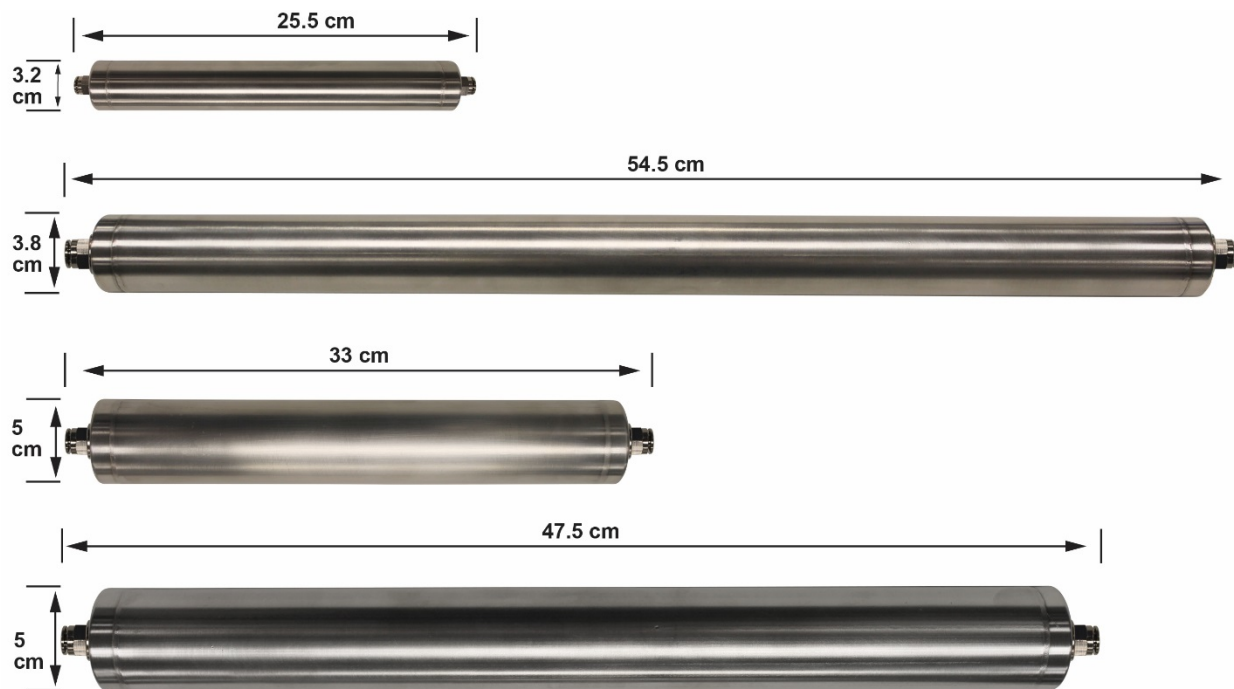
Maximum pressure rating is noted in table below.

When using a high-pressure gas source overpressure protection must be provided.

Special precautions might be required when using hydrogen or hazardous gases. Consult local regulations and your company's safety procedures.

Product Numbers

Size	For 1/4" Tubing	For 6mm Tubing	Maximum Pressure
130 cc	202232-4-PC	202232-6-PC	10.3 bar / 150 psi
475 cc	202232L-4-PC	202232L-6-PC	10.3 bar / 150 psi
500 cc	202232D-4-PC	202232D-6-PC	10.3 bar / 150 psi
750 cc	202232XL-4-PC	202232XL-6-PC	10.3 bar / 150 psi



From top to bottom: 130 cc, 475 cc, 500 cc, 750 cc

Filter Setup and Use

Installation for Push-to-Connect Fittings

1. Check the package contents for damage. Contact your supplier if any items are damaged or missing.
2. The ZPure Filter is delivered in the active state, filled with helium. It is ready for use, but it is recommended that the trap be purged with the gas to be purified.
3. Make sure the ends of the plastic tubing are clean and free of scratches. If it is damaged, simply cut a small piece off the end.
4. Remove the shipping plug from the inlet end of the trap by depressing the locking tab and pulling on the plug.
5. Insert the tube into the fitting until it bottoms out. Make sure the tube is fully inserted.
6. Gently pull back on the tube to make sure the locking tab is engaged.
7. Repeat for the outlet end of the trap.
8. Purge the entire system until a total of 1 to 2 liters of gas has been flushed through. Maintain a low purge rate of 10 to 30 cc/min
9. Leak check all connections.
10. If leaks are present, remove the tube by pressing down on the locking tab, and simultaneously pulling up on the tube. Trim the end of the tube and re-insert.

Chromatography Research Supplies, Inc.

2601 Technology Drive
Louisville, KY 40299
USA

tel. (+1) 502-491-6300

www.ChromRes.com



Recycling

Please contact CRS for information regarding recycling and reconditioning gas purifier products.